

OWNERS MANUAL

InPOWER Model ITM154

Under Vehicle Lift Interlock System with Display For RAM ProMaster with gasoline engines With Ignition On or Off

Contents

1.0 Introduction.....	1
2.0 Product Description.....	1
3.0 Installation Procedures.....	2
4.0 System Diagram.....	3
5.0 Wiring Instructions.....	4
6.0 Interlock System Operation.....	6
7.0 System Troubleshooting.....	6
8.0 Mechanical Drawing.....	8
9.0 Reference Information.....	8



1.0 Introduction

This product is intended for installation in RAM ProMaster vans with gas engines and FMVSS compliant, public-use platform lifts manufactured by The Braun Corporation, Ricon Corporation or Maxon Mobility. If another type of lift is to be used, contact the lift manufacturer to determine compatibility. This system is similar to the ITM150 but in addition will work with Ignition ON or OFF.

This interlock system is designed to meet the requirements of FMVSS 403/404 and therefore must be installed in accordance with the lift manufacturer's instructions. The installer must be trained and skilled in installing FMVSS compliant lift systems. The installation must also comply with SAE (Society of Automotive Engineers) and RAM electrical wiring procedures.

2.0 Product Description

The ITM154 interlock system consists of the following components:

- ITM154 Control Module
- 7201.067 Chassis Wiring Harness
- Interlock Display
- 7201.015 DSPITM2 Display Harness
- Mounting Screws for shiftlock sensor

Note: Do not substitute alternate screws for securing the shiftlock sensor. The supplied screws are of a correct length to ensure they do not harm any internal circuits.

The interlock system layout is shown on Page 3.

The Chassis Wiring Harness uses a 16-pin connector (P1) to plug into the interlock control module. This harness contains three blunt cut 18 inch wires, two “plug and play” T-cables that connect to the shiftlock solenoid and shifter connector, one T-cable that connects to the parking brake terminal and one park sensor to be mounded adjacent to the shifter.

The control module has one connector that connects to the wiring harness. It also has six status LEDs (Door Ajar, Lift Stowed, Power, Park Brake Set, Park, and Lift Enabled) to aid in system troubleshooting.

3.0 Installation Procedures

3.1 Safety Precautions



This interlock product has been designed and manufactured to meet the intended application requirements and specifications. Any modifications to the product or to the installation procedure can be dangerous and will void InPower’s warranty.

- Read and understand the instructions in this manual and other manuals before starting the installation.
- Make sure that the vehicle battery power is disconnected during installation of the Interlock and lift systems.
- Reconnect the battery when the system installation is complete.
- Wear appropriate safety equipment, such as protective eyeglasses, face shield and clothing when installing equipment and handling the battery.
- Be careful when working near a battery. Make sure that the area is well ventilated and that there are no flames near the battery. Never lay objects on the battery that can short the terminals together. If battery acid gets in your eyes, immediately seek first aid. If acid gets on your skin, immediately wash it off with soap and water.

3.2 Getting Started

This manual provides instructions for installing the InPower Model ITM154 Interlock System in the RAM Promaster vans with gasoline engines and with a FMVSS compliant platform lift. It is important that you follow these instructions carefully and contact InPower if you need assistance or more information. Note that product technical documents are available on InPower’s web site.



This interlock system installation requires additional parts and materials that are not supplied with the interlock product. Identify all required parts before starting the installation and ensure that these items are the correct type and quality.

Inspect the interlock product and all other components for damage before starting the installation. Do not perform the installation if any problems exist.

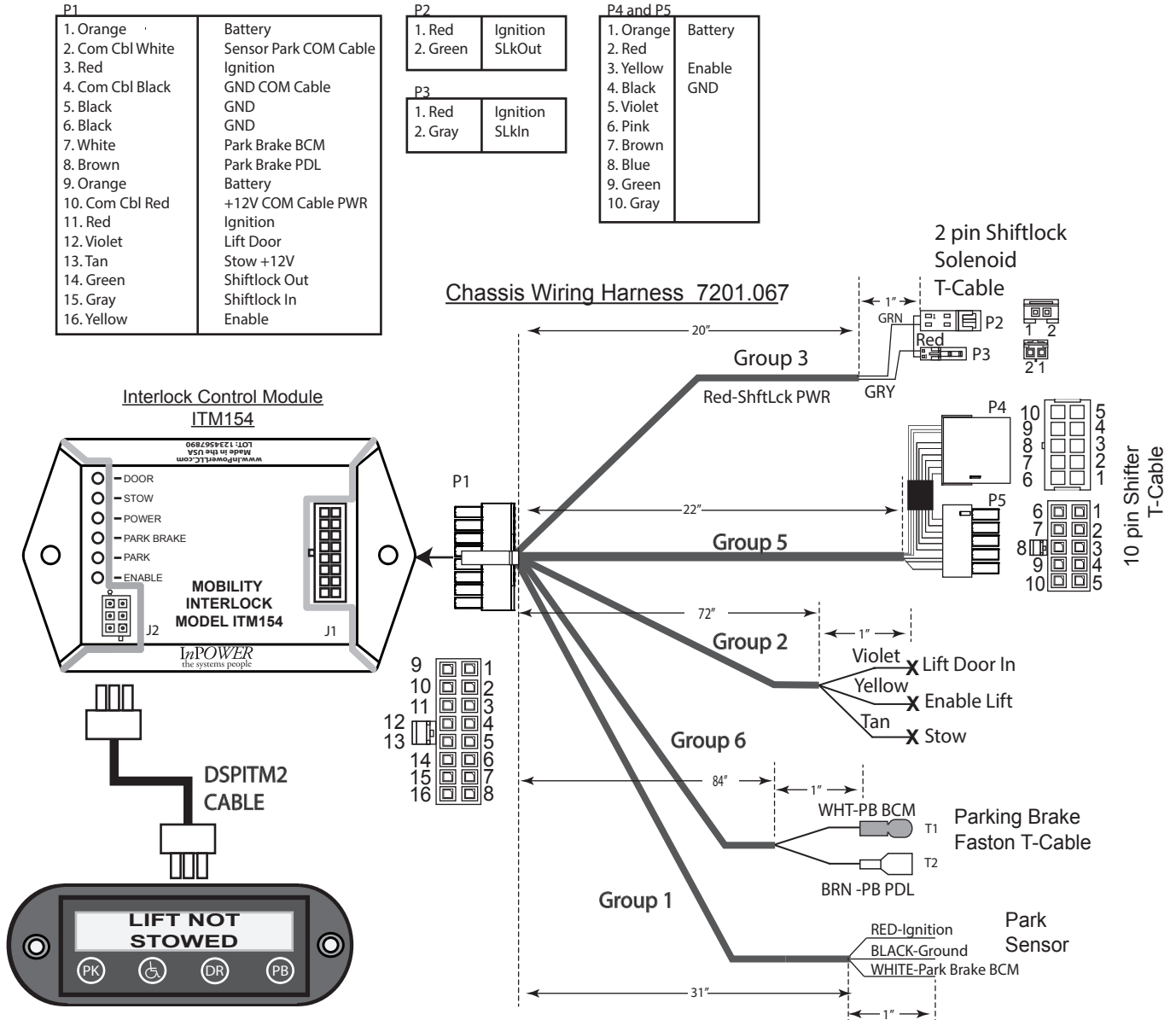
Determine the type of interlock interface required for the platform lift. This interlock system provides a +12 volt @ 1.8 amps Enable Lift output to allow the platform lift to be operated. If the lift system is not compatible with this interface signal you must take the necessary actions to adapt the lift system interface to the interlock system’s interface. Refer to the lift manufacturer’s installation instructions for further details.

The recommended mounting location for the ITM154 interlock control module is in the center console below the shifter, due to the proximity of the wiring connections. **The unit must not be located in the engine compartment or any location that is not protected from the environment.**

4.0 System Layout Diagram

The following page shows the harness that needs to be wired. Refer to Section 5. Wiring Instructions for details on how to wire the circuits.

Interlock System Layout



5.0 Wiring Instructions



WARNING

Make sure that the vehicle battery power is disconnected during installation of the interlock and lift system. Reconnect the battery when the system installation is complete.

Circuit 1 Wiring (Shiftlock Solenoid & Shifter Wiring)

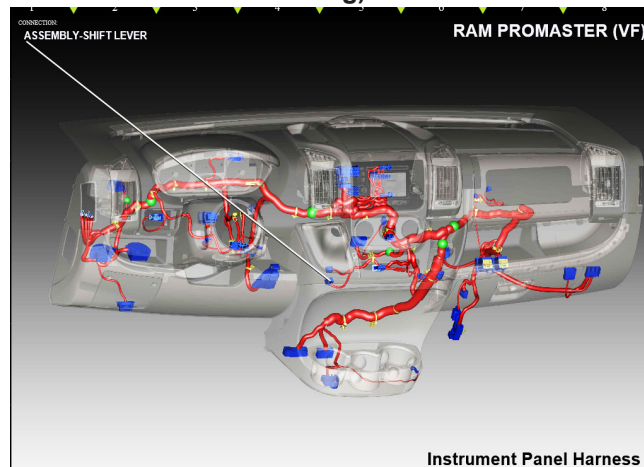


Figure 1. Diagram of the ProMaster center console.

1. Remove center console cover held on by 4 screws. (See Figure 1)
2. Unplug 2-pin shiftlock solenoid connector on bottom left side of the shifter. Always insert and remove connectors by gripping the connectors. Do not pull on the wires.
3. Unplug 10-pin shifter connector on bottom left side of shifter. This should be located just above the 2-pin solenoid connector. (See Figure 2)
4. Plug the 10-pin connector on the T-harness into the 10-pin connector on the shifter.
5. Plug the 2-pin connector on the T-harness into the 2-pin connector on the solenoid.
6. Affix the Park sensor beside the shifter shaft using the two provided screws. It is important that the sensor is angled with the corner beside the shifter so that it detects the shifter position accurately. (See Figure 3)

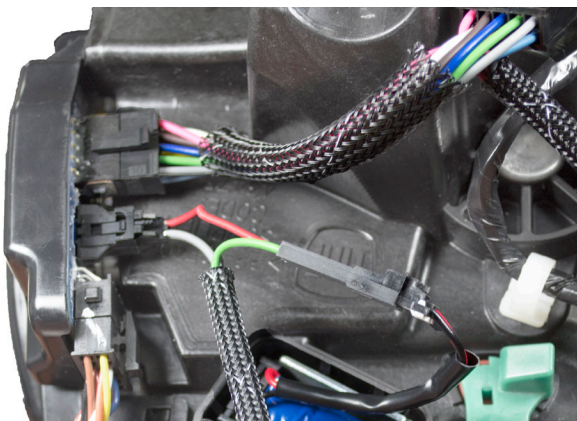


Figure 2. View of the ProMaster shiftlock solenoid and shifter.



Figure 3. View of proper placement of sensor beside the shifter shaft.

5.0 Wiring Instructions (cont.)

Circuit 2 Wiring (Park Brake)

1. Run the brown and white park brake wires under the carpet to the brake lever located on the door side of the driver's seat. Remove the cover held on by two screws. (See Figure 4)
2. Unplug park brake 1-pin terminal.
3. Connect the park brake T-harness.



Figure 4. View of Park Brake terminals

Circuit 3 Wiring (Lift Door)

1. Mount the customer supplied door switch in side door.
2. Switch must provide a **ground** signal when the side door is **open** and an **open** circuit when the side door is **closed**.
3. Connect the ITM154 interlock **Violet** Lift Door wire (Input to ITM154) found on the interlock harness to this door switch.

Circuit 4 Wiring (Platform Lift Enable)

1. Review the platform lift installation manual and determine how to wire the ITM154 interlock system to the platform lift's interlock interface.
2. Note that the Enable Lift is a +12 volt OUTPUT (**Yellow Wire**) from the interlock system and an INPUT to the lift system. When at +12 volts the platform lift can be operated.
3. Connect the interlock yellow Enable wire found on the interlock harness to the lift enable input.
4. Note: The ITM154 interlock will supply a +12 volt @ 1.8 amp output to allow operation of the lift.
5. Verify that this is the correct polarity for the platform lift.

Circuit 5 Wiring (Platform Lift Stow)

1. Verify the Stow output from the lift is 12V when the lift is stowed and open circuit when the lift is deployed.
2. Connect this Lift Stow output to the ITM154 interlock **Tan Lift Stow input** wire found on the interlock harness.

5. Wiring Instructions (cont.)

Circuit 6 Wiring - Install the Display

Drill the appropriate holes in the dash for the Interlock Display close to the Interlock in a convenient place (the cable is 36" so make certain there is enough extra for routing the harness). Mount the Interlock Display in a convenient place on the dash close to the interlock so there is enough cable.

Once the Display is mounted, attach the wire harness to connect the Display to the ITM154.

Final Steps

1. Once the harness is completely wired, mount the module and plug in the harness.
2. Test to ensure that it has been wired correctly and that there are no loose connections.

6. Interlock System Operation

The interlock system is powered when the lift door is open or when the Ignition Switch is on. It is a good idea to acquaint yourself with the Status LEDs and the Display as you step through this sequence.

The following is the interlock system sequence of operation:

1. Set parking brake and place shifter in Park position.
2. Open lift door.
 - Lift Enable will activate allowing operation of platform lift.
3. The platform lift may now be operated (Refer to the platform lift operating instructions).
 - Note: During the Lift Enable sequence, if the parking brake is released, the Lift Enable will be deactivated, preventing lift operation.
4. When the lift cycle is completed, return the lift to its fully stowed position.
5. Close the lift door.
6. Release parking brake. When released, the shift lock will be automatically released.
7. The cycle is now complete and the vehicle can be taken out of Park and driven.
 - The shifter will remain locked until the lift is completely stowed and the parking brake is released.

7. System Troubleshooting

If there is a problem with system operation, there is a very high probability that either the control module lost its ground or +12 volt power source, or that one or more of its inputs are not being activated by the remote switches (e.g., Lift Door Switch). Most troubles are related to wiring problems, or switches either failing or becoming out of adjustment. The 2 most common problems are a shorted door switch and a broken lift stow switch. If the lift door switch is shorted the ITM154 Interlock will keep the lift enabled and drain the battery within a few days. If the lift stow switch is broken or out of adjustment the shifter will be locked in Park.

Troubleshooting Procedure:

Power:

1. Determine if the control module is powered.
2. Ensure that the 10 pin connector is properly connected to the shifter and that both 7.5 amp fuses F16 and F18 in the Power Distribution Center are not blown.

7. System Troubleshooting (cont.)

Interconnects:

1. Check that the connectors and fuses are all correct and intact
2. If they are, Start by turning off ignition and closing the lift door.
3. Step through the operating sequence described in Section 6.
4. As you step through Section 6, pay particular attention to the diagnostic LEDs on the module.
5. Verify that the LEDs agree with the switch position.
6. If they do not, check the corresponding wiring and the sensor position.

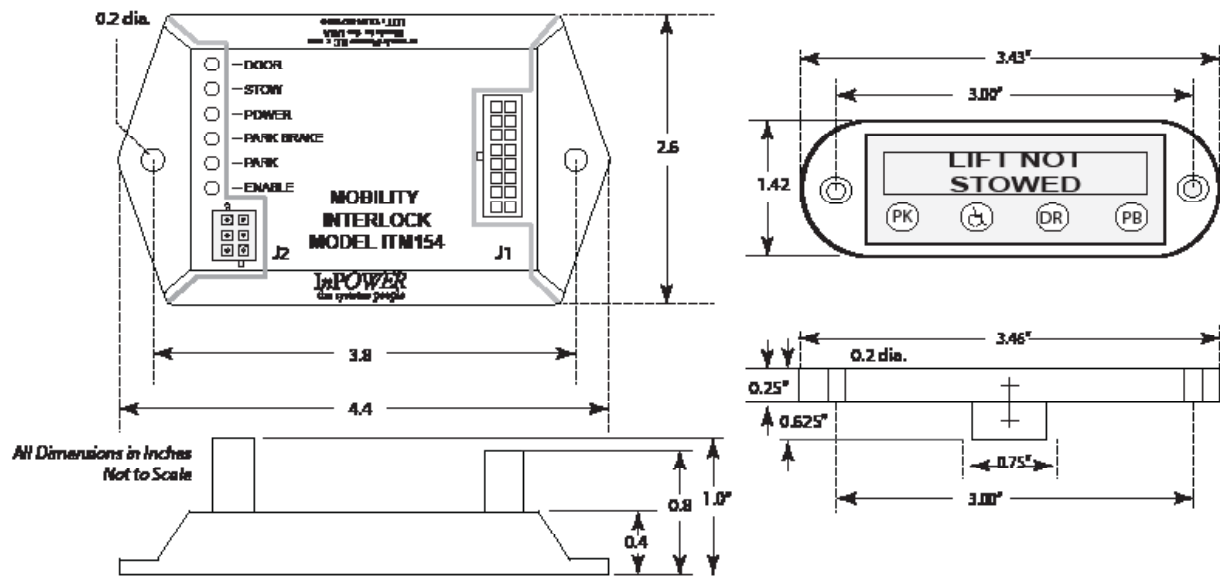
LED Indicators

The ITM15e module contains six diagnostic LED indicators as well as the Display to aid in system troubleshooting. These show the status of input and output signals of the control module.

System Diagnostic LED Indicators (Located on the control module)

DOOR	■ (Red) On when the platform lift door is ajar or open (not fully closed)
STOW	■ (Red) On when the lift is completely stowed.
POWER	■ (Red) On when +12 volt power is applied to module.
PARK BRAKE	■ (Red) On when the park brake is set.
PARK	■ (Red) On when the transmission is in the Park position
ENABLE	■ (Red) On when the interlock allows the platform lift to operate.

8. Mechanical Drawing



9. Reference Information

9.1 Company Contacts

RAM Body Builders
www.RamBodyBuilder.com
 (866) 205-4102
rabbg@chrysler.com

RAM Service Manuals
www.techauthority.com

Ricon Corporation
 7900 Nelson Road
 Panorama City, CA 91402
 (818) 267-3038
 (800) 322-2884
www.riconcorp.com

The Braun Corporation
 631 West 11th Street
 Winamac, IN 46966
 (574) 946-6153
 (800) 946-6158
www.braunlift.com

Maxon Lift Corp.
 11921 Slauson Avenue
 Sante Fe Springs, CA 90670
 (562) 464-0099
 (800) 227-4116
www.maxonlift.com

9.2 Required Parts Not Supplied with ITM154 Interlock System

1. Lift door switch.
2. Miscellaneous wire, mounting hardware, wire tie wraps, wire loom.