



## Technical Description

The The Model VCMS-SM12 Switch Module is a component of the InPower Vehicle Control Module System (VCMS), a modular, programmable switch panel system used for controlling vehicle 12 volt auxiliary devices. The system can be configured to fit a wide range of applications that require the driver to operate devices such as lights, beacons, fans, compressors and pumps. The switch module is connected to one or more power modules via a logic cable. Dual switch modules may be used in a master/slave arrangement, offering system control from two locations.

The Model VCMS-SM12 Switch Module contains 12 push button switch positions. The push buttons utilize a tactile switch design that ensures a positive operation. Each switch position contains a back lighted push button for night viewing, and a status LED indicator. The housing is a durable metal case that is only ½ inch thick. Switch legends are easily replaceable and are available in standard and custom formats.

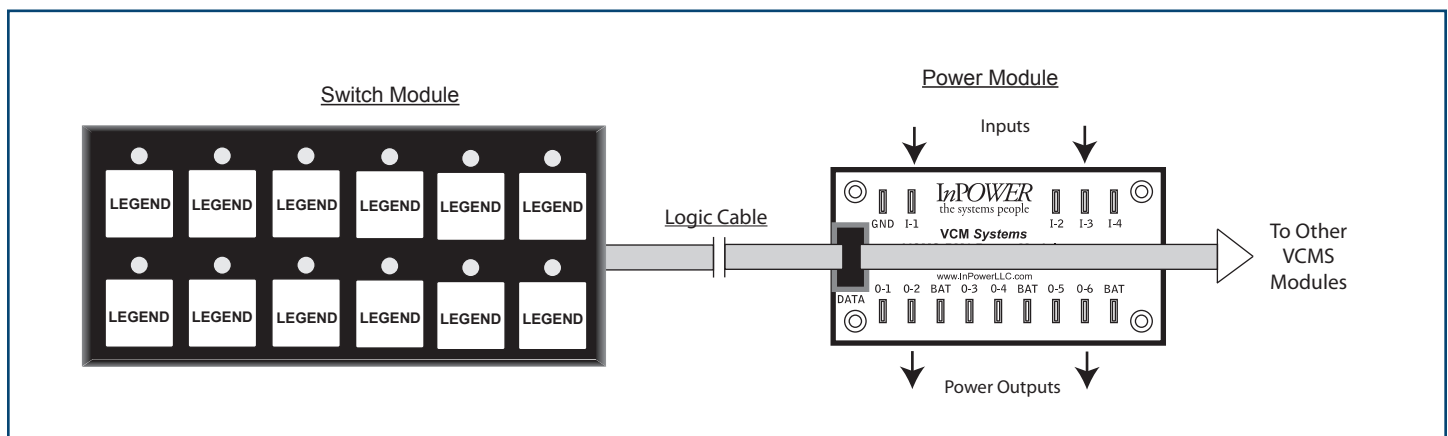
Switch modules interface to other system modules via a logic cable that plugs into a connector on the rear of the unit. The switch module mounts to a panel with four 6-32 threaded studs and is intended for interior vehicle locations.

Each switch position can be programmed to be a momentary, two-position latching, or three-position latching function. If programmed as a momentary function the switch output and the status LED will remain activated for the time the switch is activated. If programmed as a latching function, pressing the switch the first time sets the switch output and status LED. Pressing the switch the second time turns off the switch output and status LED. If the switch was programmed as a 3-step function, pressing the switch the first time sets the first switch position output (On1). Pressing the switch the second time turns off the first output and turns on the second output (On2). Pressing the switch the third time turns off the second output. This operation provides the equivalent of a three position switch.

## Key Features

- Ultra Thin Profile
- Back Lighted Switches
- Custom and Standard Legends
- Switch Status Indicators
- Programmable Functions
- Easy to Install Cable

## System Diagram



## Specifications

Dimensions:	2.74 inch H x 6.33 inch W x 0.55 inch D
Case Material:	Anodized aluminum
Mounting:	Four 0.680 inch #6-32 threaded studs
Connector:	10-position, for ribbon cable plug
Status Indicator:	Red LED
Back Light:	Blue
Switch Cap:	Molded plastic, with legend label and diffuser
Switch Functions:	Programmable via VCMS Application Program: <ol style="list-style-type: none"> <li>1. Momentary</li> <li>2. 2-position latching (Off-On1)</li> <li>3. 3-Step (Off-On1-On2)</li> </ol>
Switch Legends:	Select from InPower's standard switch legend library, InPower document TB-59. Custom legends are also available.

## Reference Documents

<u>Document Name</u>	<u>Document Number</u>
VCMS-SM6 Switch Module, 6 positions	Product Data Sheet PDS-92
VCMS-SM8 Switch Module, 8 positions	Product Data Sheet PDS-93
VCMS-SM10 Switch Module, 10 positions	Product Data Sheet PDS-94
VCMS-PM1 Power Module	Product Data Sheet PDS-96
VCMS-PM2 Power Module	Product Data Sheet PDS-101
VCMS-APM Analog Power Module	Product Data Sheet PDS-97
VCMS Design Manual	Owners Manual OM-96
VCMS Switch Legend Library	Technical Bulletin TB-59

## Ordering Guide

<u>Model</u>	<u>Description</u>
VCMS-SM12	Twelve-position VCMS switch module

## Mechanical Drawing

