



Key Features

- Ultra Thin Profile
- Back Lighted Switches
- Custom and Standard Legends
- Switch Status Indicators
- Programmable Functions
- Easy to Install Cable

Ordering Guide

Model	Description
VCMS-SM4	Four-position VCMS switch module

Technical Description

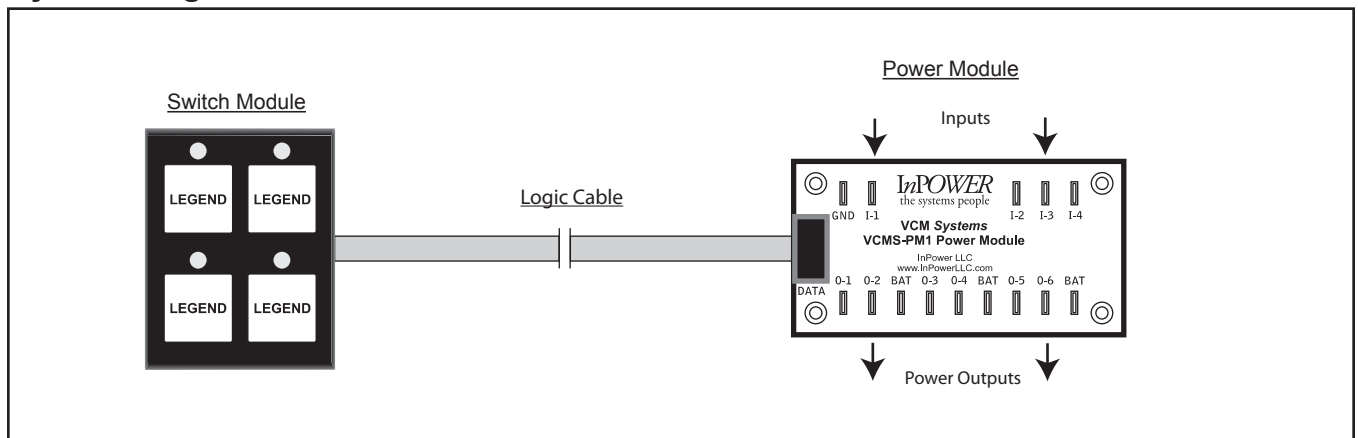
The Model VCMS-SM4 Switch Module is a component of the InPower Vehicle Control Module System (VCMS), a modular, programmable switch panel system used for controlling vehicle 12 volt auxiliary devices. The system can be configured to fit a wide range of applications to operate devices such as lights, beacons, fans, compressors and pumps. The switch module is connected to one or more power modules by a logic cable. Dual switch modules may be used in a master/slave arrangement, offering system control from two locations.

The Model VCMS-SM4 Switch Module contains four push button switches. The push buttons utilize a tactile switch design that ensures a positive operation. Each switch is back lighted for night viewing, and contains a status LED indicator. The housing is a durable metal case that is only ½ inch thick. Switch legends are easily replaceable and are available in standard and custom formats.

Switch modules interface to other system modules by a logic cable that plugs into a connector on the rear of the unit. The switch module mounts to a panel with four 6-32 threaded studs and is intended for interior vehicle locations.

Each switch can be programmed to operate as a momentary, two-position, or three-position latching function. If programmed as a momentary function, the switch output and the status LED will remain activated for the time the switch is depressed. If programmed as a latching function, pressing the switch the first time sets the switch output and status LED. Pressing the switch the second time turns off the switch output and status LED. If the switch is programmed as a 3-step function, pressing the switch the first time sets the output On1. Pressing the switch the second time turns off output On1 and turns on output On2. Pressing the switch the third time turns off output On2. This operation provides the equivalent of a three position switch.

System Diagram



Specifications

Dimensions:	2.74 inch H x 2.33 inch W x 0.55 inch D
Case Material:	Anodized aluminum
Mounting:	Four 0.680 inch #6-32 threaded studs
Connector:	10-position, for ribbon cable plug
Status Indicator:	Red LED
Back Light:	Blue
Switch Cap:	Molded plastic, with legend label and diffuser
Switch Functions:	Programmable via VCMS Application Program: <ol style="list-style-type: none"> 1. Momentary 2. 2-position latching (Off-On1) 3. 3-Step (Off-On1-On2)
Switch Legends:	Select from InPower's standard switch legend library, InPower document TB-59. Custom legends are also available.

Reference Documents

Document Name	Document Number
VCMS-SM6 Switch Module, 6 positions	Product Data Sheet PDS-92
VCMS-SM8 Switch Module, 8 positions	Product Data Sheet PDS-93
VCMS-SM10 Switch Module, 10 positions	Product Data Sheet PDS-94
VCMS-SM12 Switch Module, 12 positions	Product Data Sheet PDS-95
VCMS-PM1 Power Module	Product Data Sheet PDS-96
VCMS-PM2 Power Module	Product Data Sheet PDS-101
VCMS-APM Analog Power Module	Product Data Sheet PDS-97
VCMS-SC Technical Manual	Owners Manual OM-96
VCMS Switch Legend Library	Technical Bulletin TB-59

Mechanical Drawing

