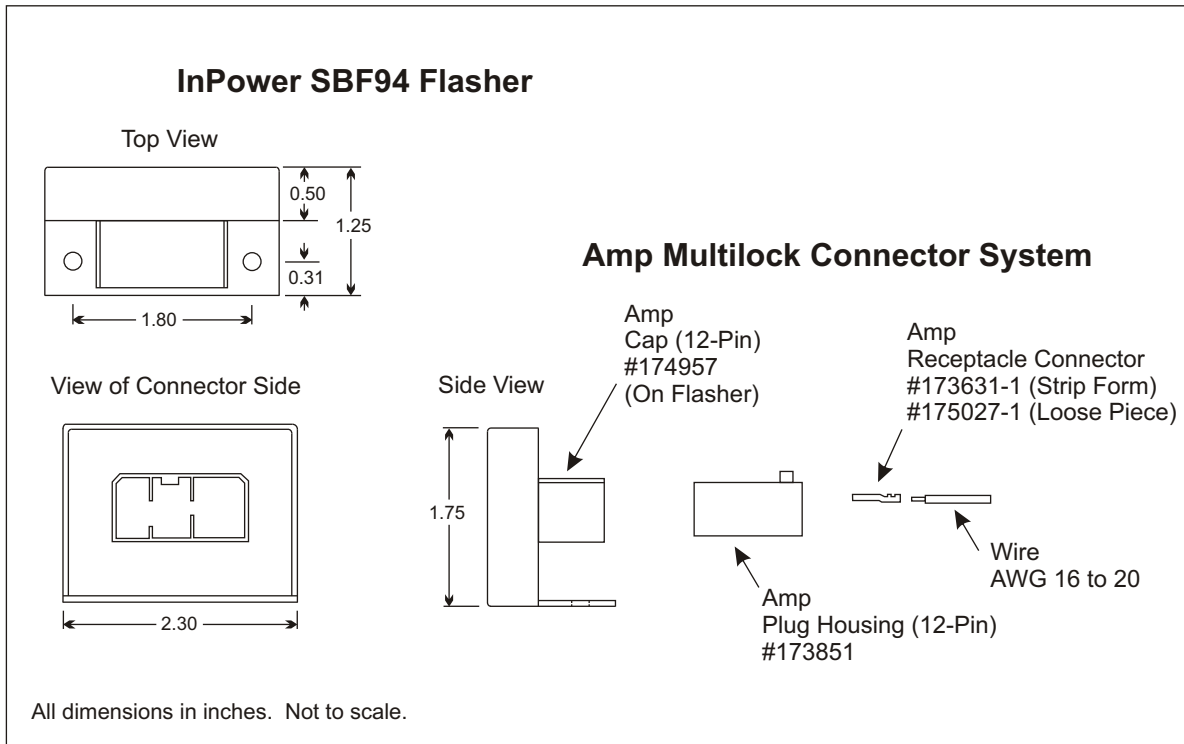


# InPower Model SBF94 Flasher

## Mating Connector Reference Information



### **AMP Multilock Series 070 Connector Reference**

Purchasing Source:

Tyco Electronics Corporation  
 Harrisburg, PA 14105  
 800-522-6752  
 www.tycoelectronics.com

Connector parts:

<u>Part Description</u>	<u>Part Number</u>
Plug housing, 12-pin	173851-1
Receptacle Connector (16-20 AWG)	173631-1 (Strip Form) 175027-1 (Loose Piece)
Crimping tool	911788-2

Reference: Tyco Electronics Catalog 65839