

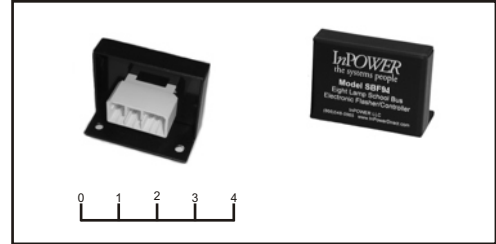
FLASHER REPLACEMENT INSTRUCTIONS

CONVERTING BAADER-BROWN Models To InPOWER Model SBF94

Baader-Brown 6404-1125 & 6404-1920



InPOWER Model SBF94



Wiring Conversion Chart

<u>Wire On</u> <u>Baader-Brown</u>		<u>Goes to</u> <u>InPower Model SBF94</u>		<u>Comments</u>
<u>Terminal</u>	<u>Description</u>	<u>Terminal</u>	<u>Description</u>	
<i>For Sequential Operation:</i>				
1	Red Light – Right	4	Right Red Lights	
2	Not Used			
3	Stop Arm Solenoid	3	Stop Arm	
4	Not Used			
5	Not Used			
6	Amber Light – Right	5	Right Amber Lights	
7	Red Light – Left	2	Left Red Lights	
8	Door Switch	10	Flash Red Only After Amber	
		*11	Flash Red When Door is Opened	
9	Master Switch +12V	6,7	Master Switch	
10	Not Used			
11	Start Switch	9	Start Switch	
12	Amber Light – Left	1	Left Amber Lights	
-	Ground	12	Ground	
		8	Override Switch (If Used, run wire from Override Sw. to terminal 8)	
<i>For Non-Sequential Operation:</i>				
1	Red Light – Right	4	Right Red Lights	
2	Not Used			
3	Stop Arm Solenoid	3	Stop Arm	
4	Not Used			
5	Not Used			
6	Amber Light – Right	5	Right Amber Lights	
7	Red Light – Left	2	Left Red Lights	
8	Door Switch	11	Flash Red When Door is Opened (No wire on terminal 9)	
9	Master Switch +12V	6,7	Master Switch	
10	Not Used			
11	Start Switch	9	Start Switch	
12	Amber Light – Left	1	Left Amber Lights	
-	Ground	12	Ground	
		8	Override Switch (If Used, run wire from Override Sw. to terminal 1)	

Note - See Figure 1 & 2 for wiring details.

* If Override Switch is used run wire from terminal 11 to Override Switch (See Fig. 2).

FLASHER REPLACEMENT INSTRUCTIONS

CONVERTING Baader-Brown Models 6404-1125 & 6404-1920 To InPOWER Model SBF94

Figure 1 Wiring Before Flasher Conversion

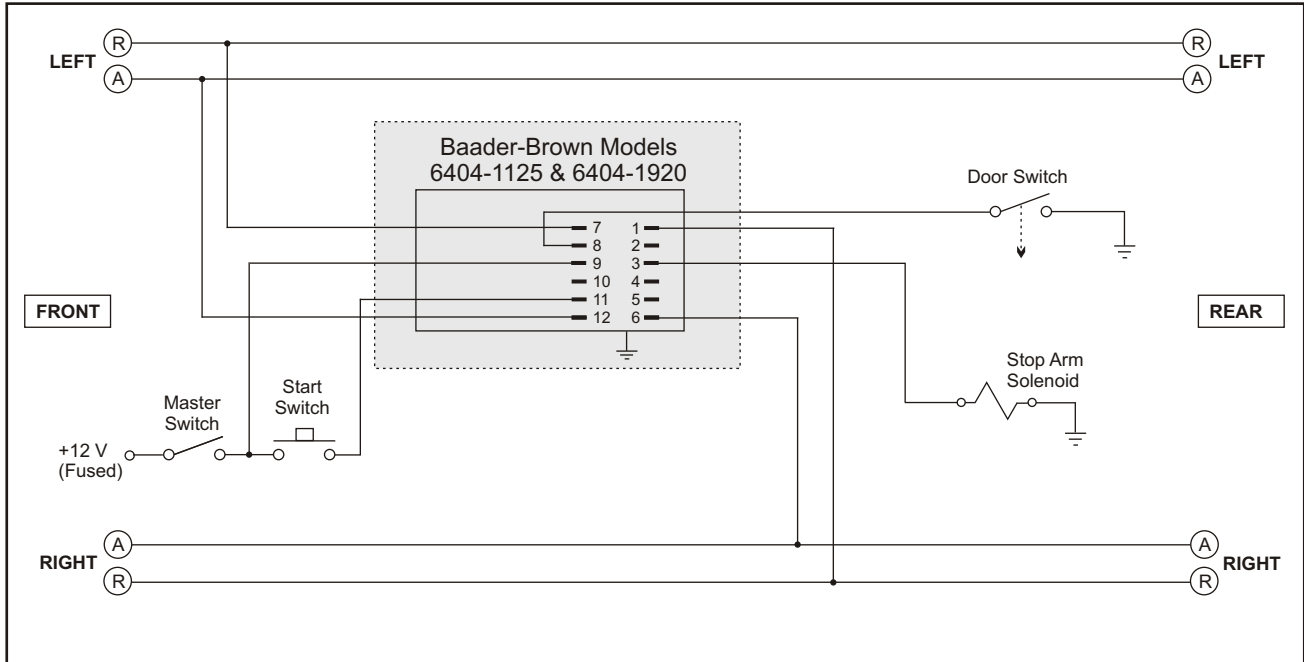


Figure 2 Wiring After Flasher Conversion

