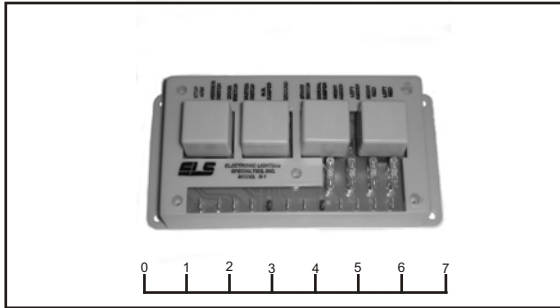


FLASHER REPLACEMENT INSTRUCTIONS

CONVERTING ELS Model B-1 To InPOWER Model SBF90

ELS Model B-1



InPOWER Model SBF90



Wiring Conversion Chart

<u>Wire On</u> ELS Model B-1		<u>Goes to</u> InPower Model SBF91		<u>Comments</u>
<u>Terminal</u>	<u>Description</u>	<u>Terminal</u>	<u>Description</u>	
<i>For Sequential Operation:</i>				
1	Stop Arm	5	Stop Arm	
2	Override Switch	1	Override Switch	
3	Door Switch (wire to Door Sw.)	9	Flash Red Only After Amber	
3	Door Switch (wire to Override Switch)	10	Flash Red When Door is Opened	
4	Master Switch (N.S. Jumper)	2	Master Switch	
5	Ground	11	N/A	
6	Start Switch (Manual Jumper)	8	Ground	
7	Right Amber	3	Start Switch	
8	Left Amber	7	N/A	
9	Right Red	4	Right Amber Lights	
10	Left Red	6	Left Amber Lights	
9	Right Red	4	Right Red Lamps	
10	Left Red	6	Left Red Lamps	
<i>For Non-Sequential Operation:</i>				
1	Stop Arm	5	Stop Arm	
2	Override Switch	1	Override Switch	
3	Door Switch (wire to Door Sw.)	10	Flash Red When Door is Opened	
3	Door Switch (wire to Override Switch)	-	(No wire)	Remove wire to Override Switch
4	Master Switch (N.S. Jumper)	2	Master Switch	
5	Ground	11	N/A	
6	Start Switch (Manual Jumper)	1	Ground	
7	Right Amber	3	Start Switch	
8	Left Amber	7	N/A	
9	Right Red	4	Right Amber Lights	
10	Left Red	6	Left Amber Lights	
9	Right Red	4	Right Red Lamps	
10	Left Red	6	Left Red Lamps	

Note - See Figure 1 & 2 for wiring details.

FLASHER REPLACEMENT INSTRUCTIONS

CONVERTING ELS Model B-1 To InPOWER Model SBF90

Figure 1 Wiring Before Flasher Conversion

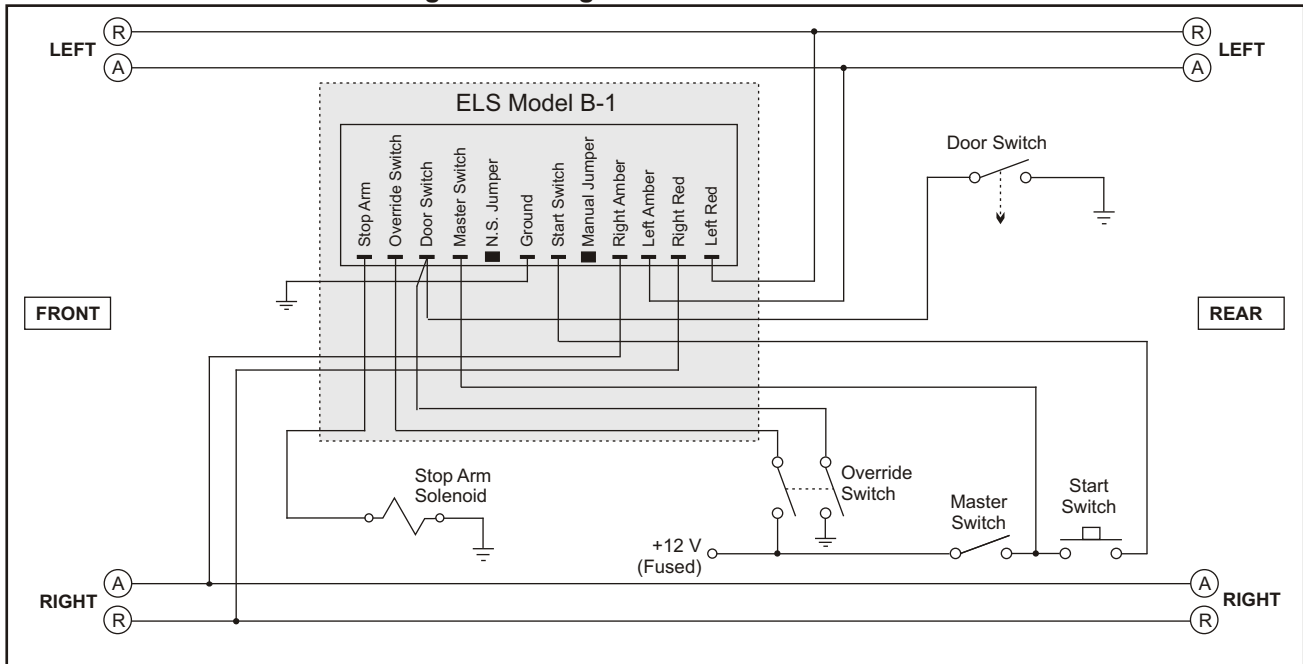


Figure 2 Wiring After Flasher Conversion

