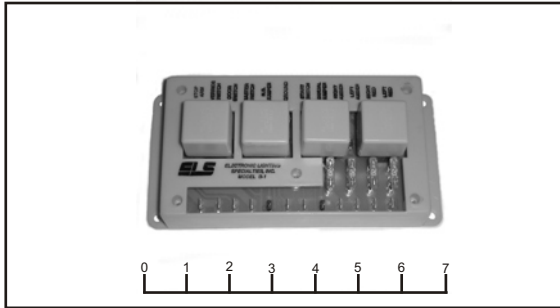


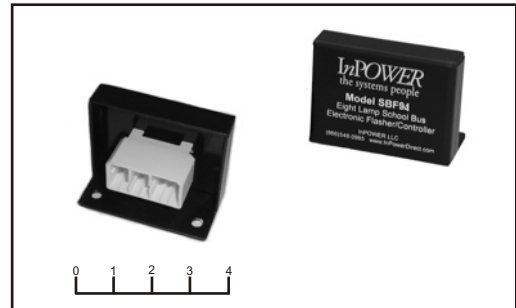
FLASHER REPLACEMENT INSTRUCTIONS

CONVERTING ELS Model B-1 To InPOWER Model SBF94

ELS Model B-1

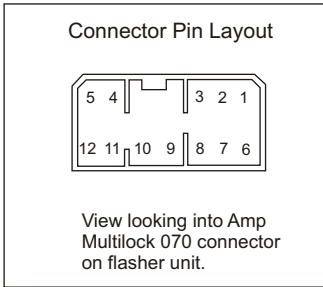


InPOWER Model SBF94



Wiring Conversion Chart

<u>Wire On</u> ELS Model B-1		<u>Goes to</u> InPower Model SBF94		<u>Comments</u>
<u>Terminal</u>	<u>Description</u>	<u>Terminal</u>	<u>Description</u>	
<i>For Sequential Operation:</i>				
1	Stop Arm	3	Stop Arm	
2	Override Switch	8	Override Switch	
3	Door Switch (wire to Door Sw.)	10	Flash Red Only After Amber	
3	Door Switch (wire to Override Switch)	11	Flash Red When Door is Opened	
4	Master Switch (N.S. Jumper)	6,7	Master Switch	
5	Ground	12	Ground	
6	Start Switch (Manual Jumper)	9	Start Switch	
7	Right Amber	5	Right Amber Lights	
8	Left Amber	1	Left Amber Lights	
9	Right Red	4	Right Red Lamps	
10	Left Red	2	Left Red Lights	
<i>For Non-Sequential Operation:</i>				
1	Stop Arm	3	Stop Arm	
2	Override Switch	8	Override Switch	
3	Door Switch (wire to Door Sw.)	11	Flash Red When Door is Opened	
3	Door Switch (wire to Override Switch)	-	(No wire)	Remove wire to Override Switch
4	Master Switch (N.S. Jumper)	6,7	Master Switch	
5	Ground	12	Ground	
6	Start Switch (Manual Jumper)	9	Start Switch	
7	Right Amber	5	Right Amber Lights	
8	Left Amber	1	Left Amber Lights	
9	Right Red	4	Right Red Lamps	
10	Left Red	2	Left Red Lights	



Note - See Figure 1 & 2 for wiring details.

FLASHER REPLACEMENT INSTRUCTIONS

CONVERTING ELS Model B-1 To InPOWER Model SBF94

Figure 1 Wiring Before Flasher Conversion

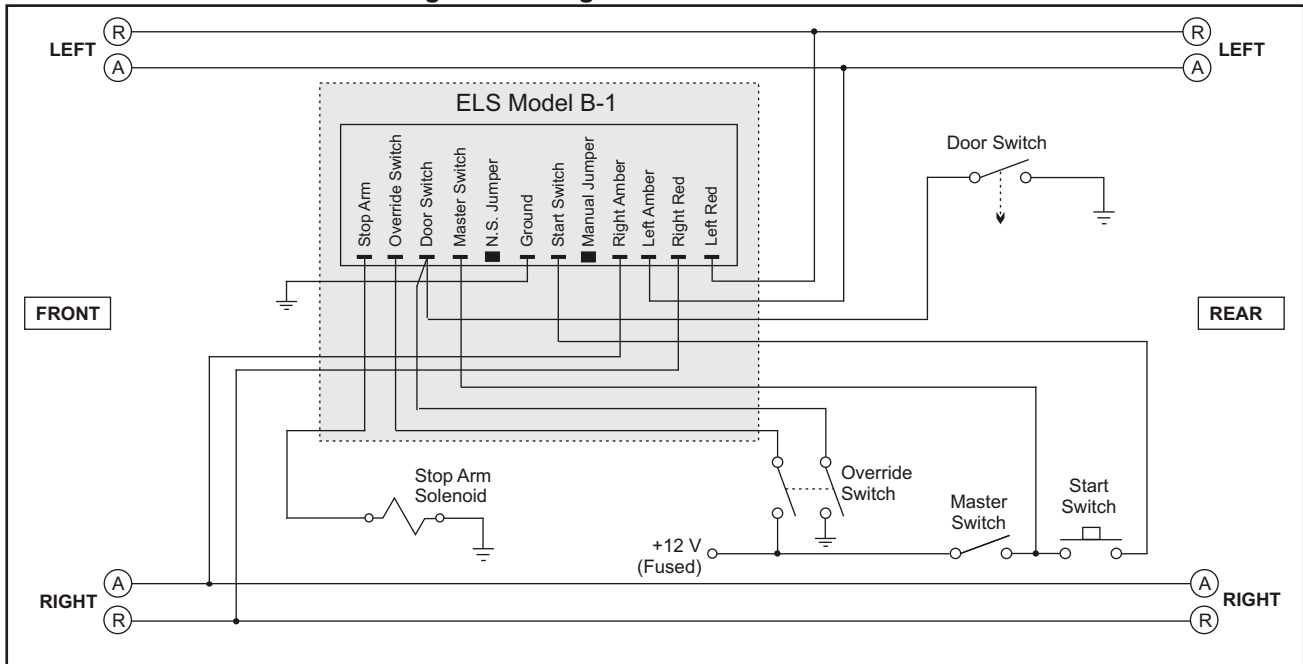


Figure 2 Wiring After Flasher Conversion

