

Technical Bulletin

Subject: **Power terminal detachment during installation**

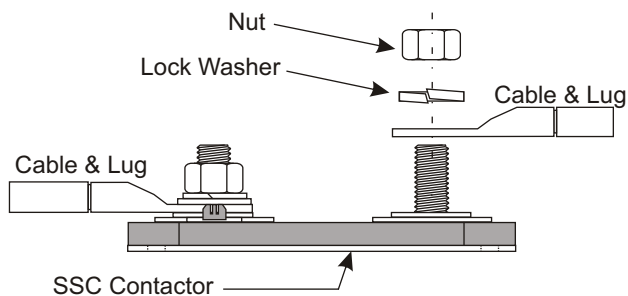
Product: SSC10-100
SSC10-150
SSC10-200
SSC32-275

Date: August 14, 2006

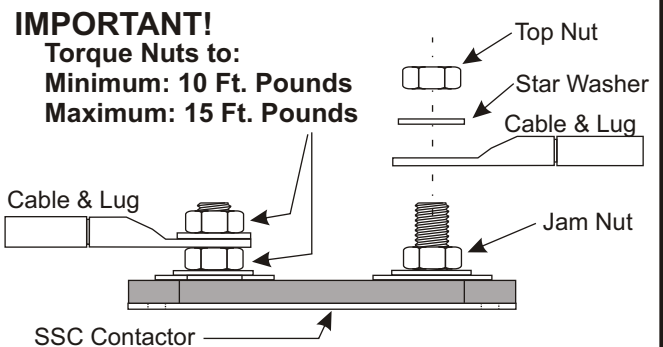
Problem: The power terminal consists of a 3/8 - 16 threaded stud that is screwed into a cylindrical brass contact pad. The brass contact pad is soldered to a circuit board. The contact pad and stud have been designed to handle many times the recommended torque. However, if the stud is allowed to rotate in the contact pad it could act as a jack screw and pull the contact pad off the printed circuit board.

Solution: To prevent the problem, a jam nut must first be installed, locking the stud to the contact pad, thereby preventing the rotation of the stud.

INCORRECT ASSEMBLY METHOD



CORRECT ASSEMBLY METHOD



Action required: Contact InPower to obtain jam nuts.

Reference Documents:

1. Owners Manual for SSC10-100/150/200
2. Owners Manual for SSC32-275

InPower document OM-39
InPower document OM-41