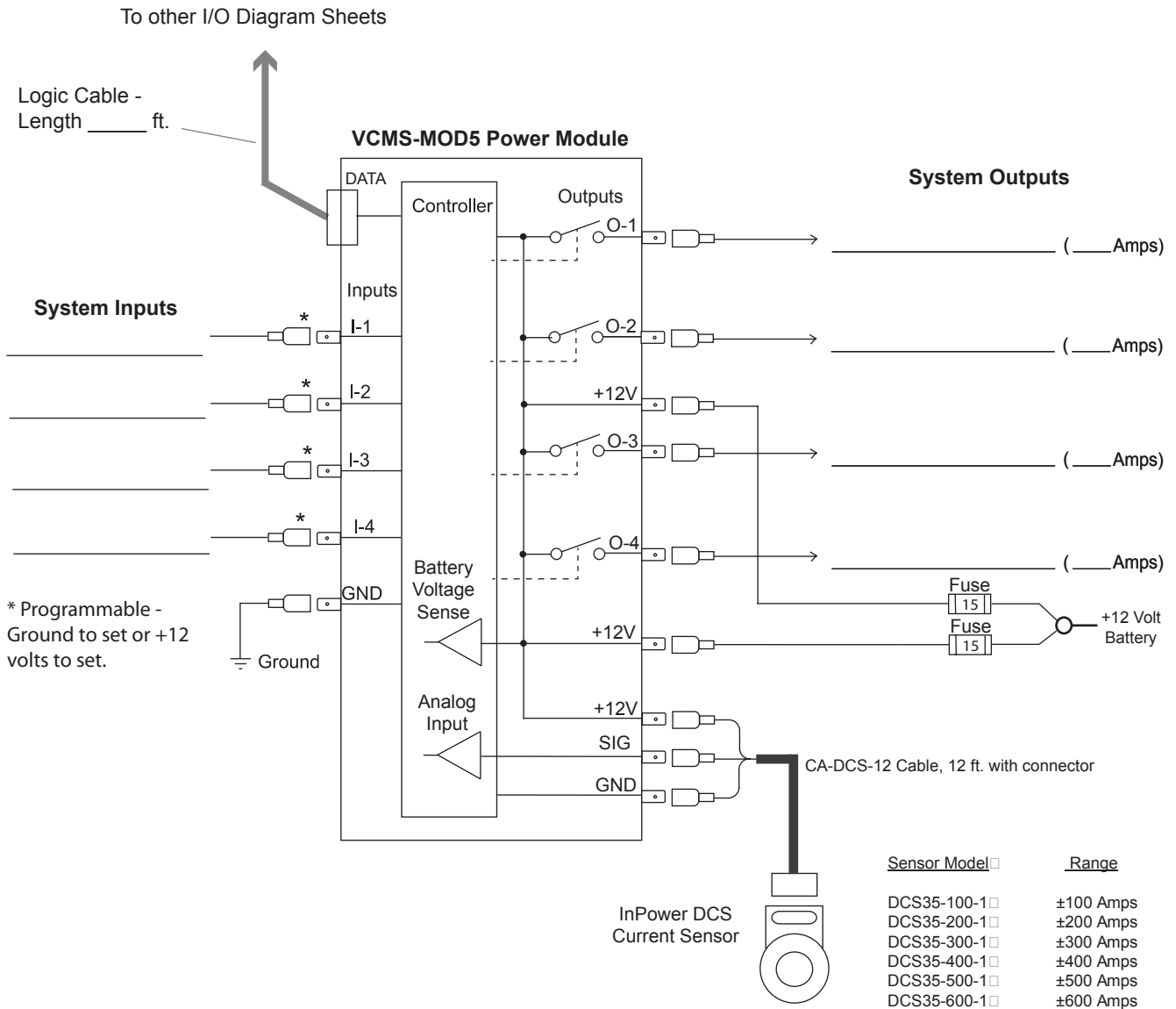


VCMS Input/Output Diagram VCMS-APM Power Module



Customer: _____ Project: _____ Spec. Spec No: _____ Date: _____