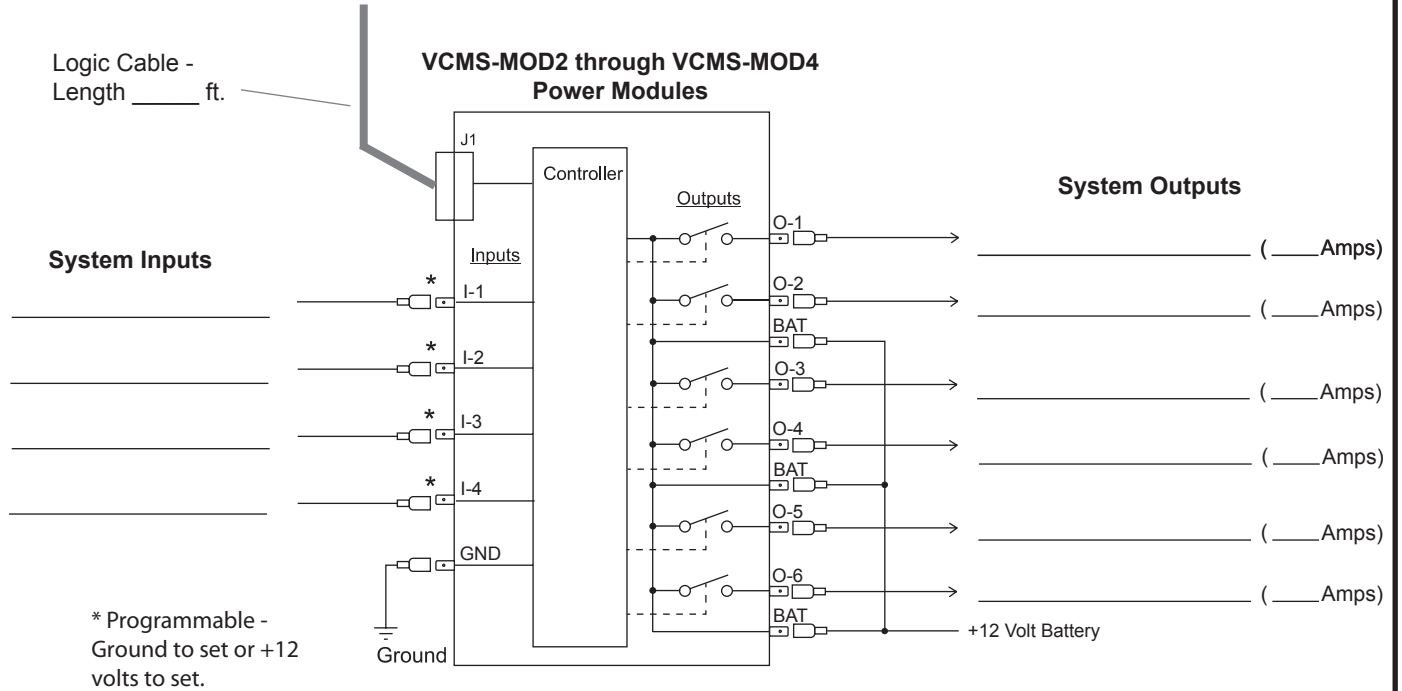


VCMS Input/Output Diagram VCMS-PM1 Power Module

To other I/O Diagram Sheets



Customer: _____ Project: _____ Spec. No: _____ Date: _____