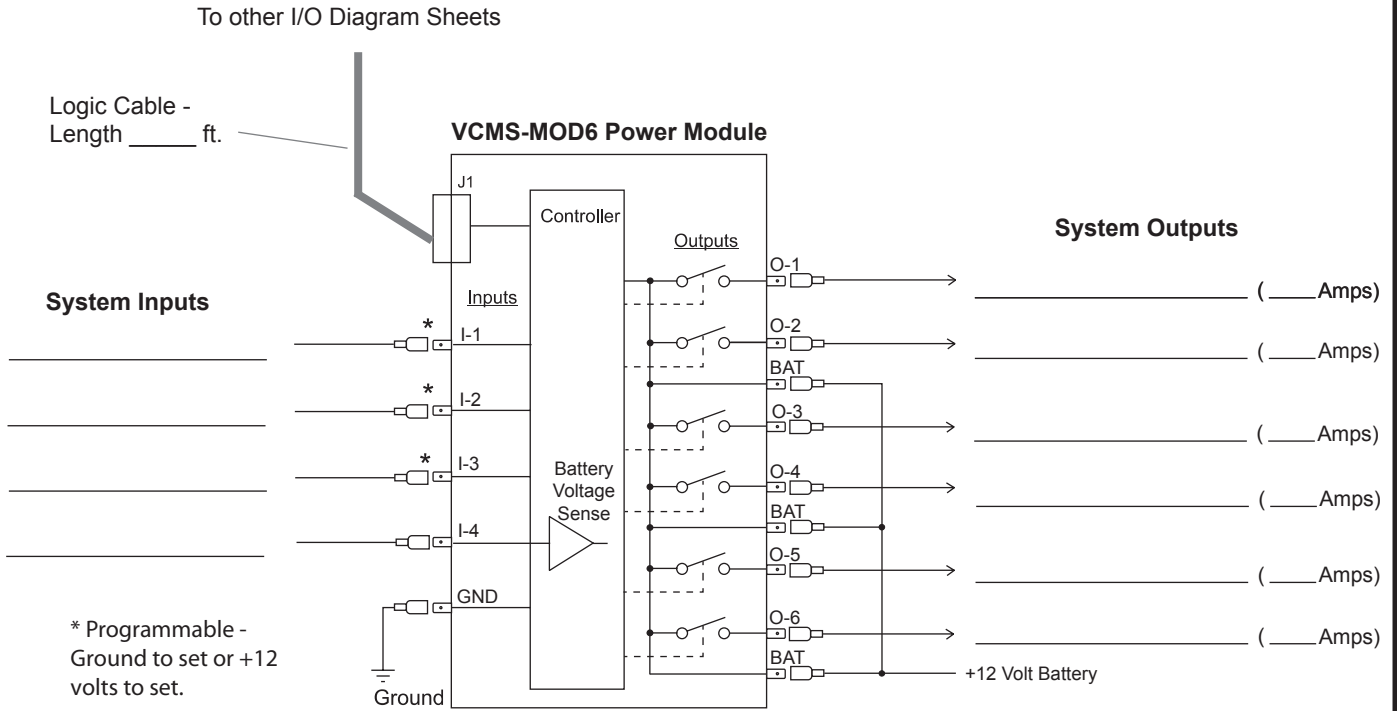


VCMS Input/Output Diagram

VCMS-PM1C & VCMS-PM1D Power Modules



Customer: _____ Project: _____ Spec. Spec No: _____ Date: _____