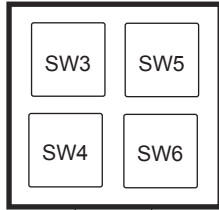
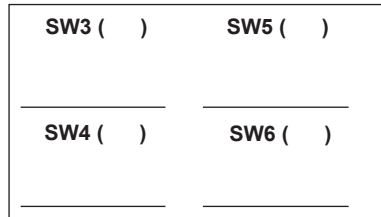


VCMS Input/Output Diagram VCMS-SM4 & VCMS-PM1

VCMS-SM4 Switch Module



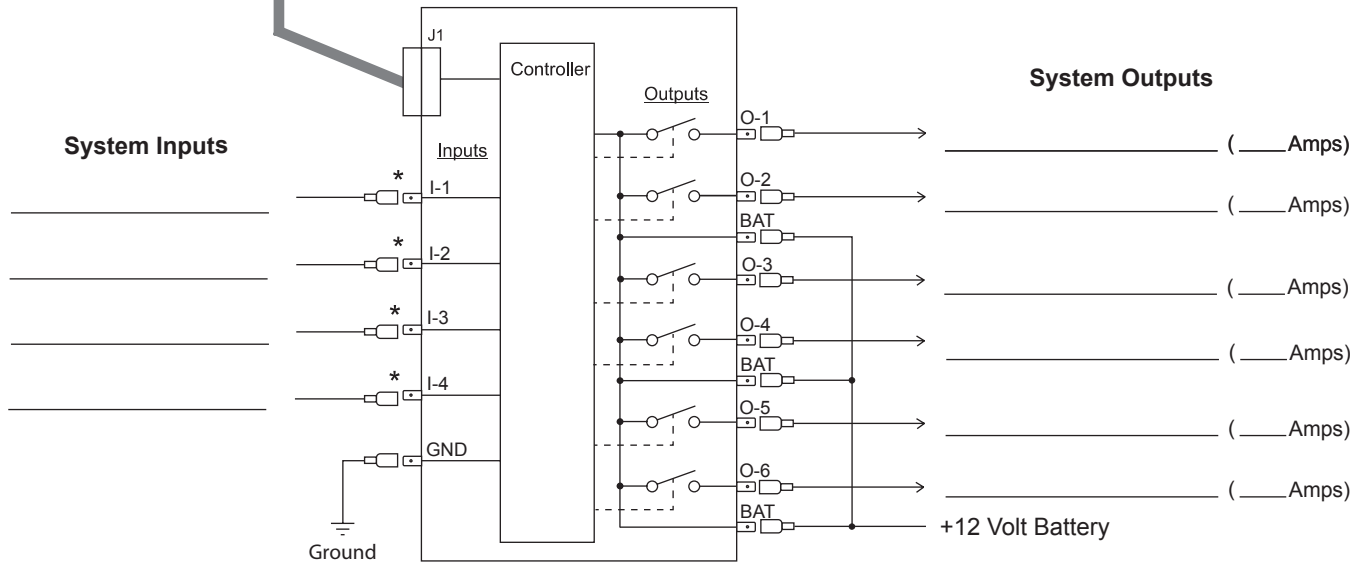
Switch Functions/Legends



Key:
M = Momentary
2 = Off-On1
3 = Off-On1-On2

Logic Cable -
Length ____ ft.

VCMS-MOD1 Power Module



* Programmable -
Ground to set or +12
volts to set.

Customer: _____ Project: _____ Spec. Spec No: _____ Date: _____