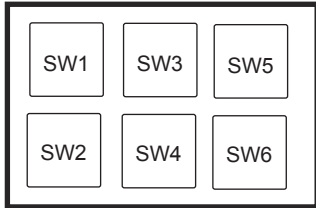


# VCMS Input/Output Diagram VCMS-SM6 & VCMS-PM1

### VCMS-SM6 Switch Module



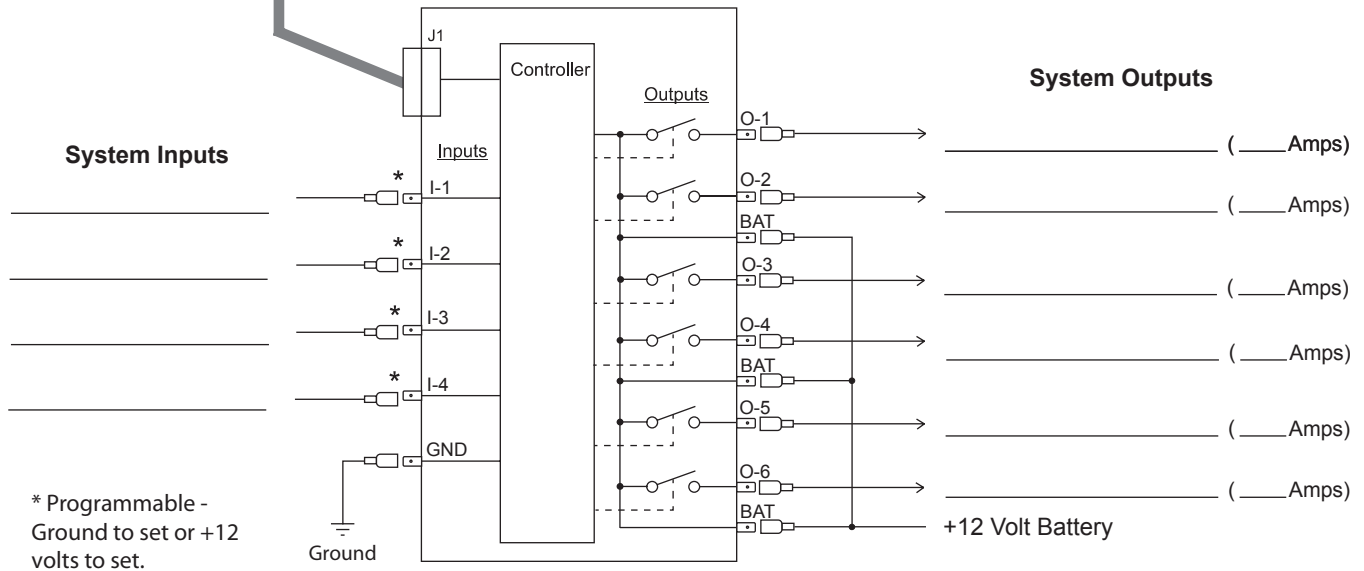
### Switch Functions/Legends

SW1 ( )	SW3 ( )	SW5 ( )
SW2 ( )	SW4 ( )	SW6 ( )

Key:  
M = Momentary  
2 = Off-On1  
3 = Off-On1-On2

Logic Cable -  
Length \_\_\_\_\_ ft.

### VCMS-MOD1 Power Module



\* Programmable -  
Ground to set or +12  
volts to set.

Customer: \_\_\_\_\_ Project: \_\_\_\_\_ Spec. Spec No: \_\_\_\_\_ Date: \_\_\_\_\_