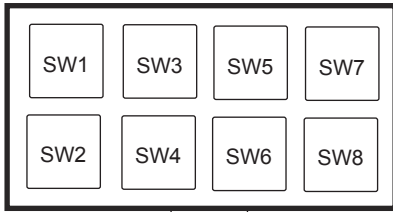


VCMS Input/Output Diagram VCMS-SM8 & VCMS-PM1

VCMS-SM8 Switch Module



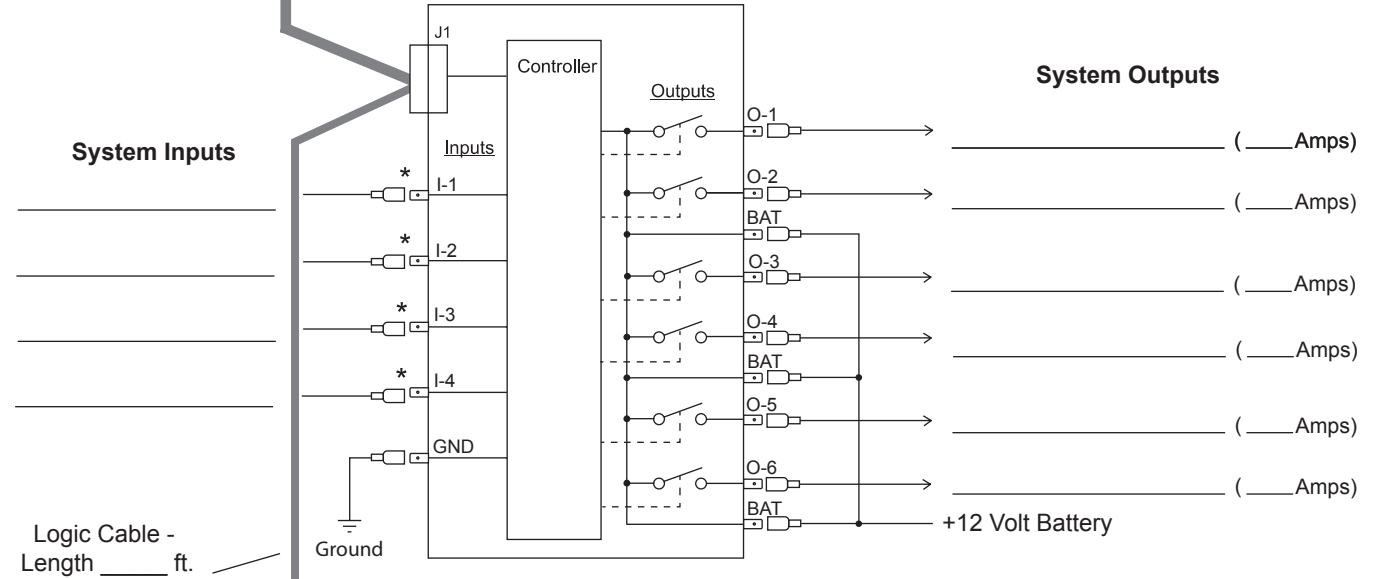
Switch Functions/Legends

SW1 ()	SW3 ()	SW5 ()	SW7 ()
SW2 ()	SW4 ()	SW6 ()	SW8 ()

Key:
M = Momentary
2 = Off-On1
3 = Off-On1-On2

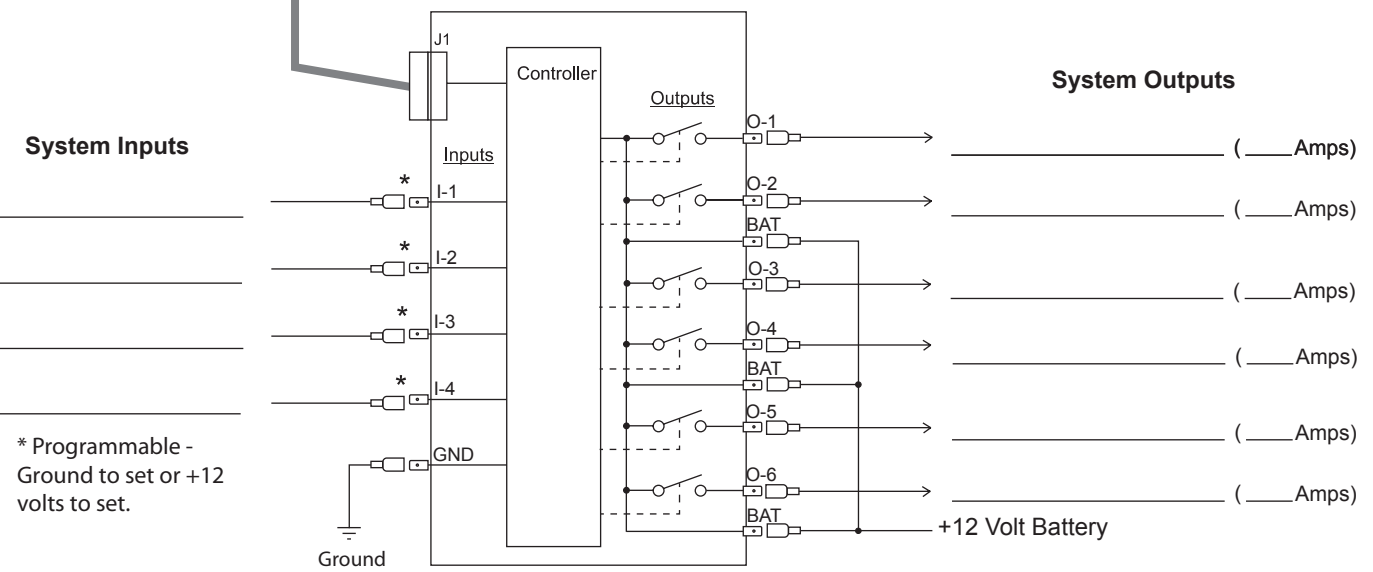
Logic Cable -
Length _____ ft.

VCMS-MOD1 Power Module



Logic Cable -
Length _____ ft.

VCMS-MOD2 Power Module



* Programmable -
Ground to set or +12
volts to set.

Customer: _____ Project: _____ Spec. Spec No: _____ Date: _____