

HD2VCM-15

Dual Channel 12V 35 Amp (Off/NoDraw) Solid State Switches



Key Features

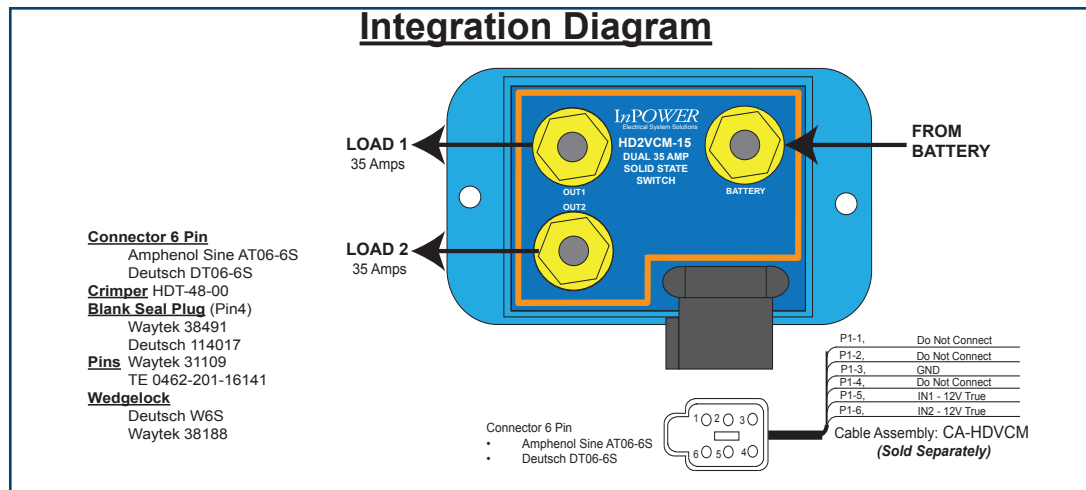
- **Low Power Consumption:** If the Control Voltages are not active (Both IN1 and IN2 at GND), current draw is 0mA.
- **Dual Channel Control:** Provides precise control for two independent +12V 35 Amp feeds, allowing seamless switching of loads.
- **Versatility:** Equipped with a microprocessor, enabling the controller to perform various functions based on customer-specified parameters.
- **Comprehensive Functionality Family Optional Configurations:** Optionally offers voltage monitoring, current monitoring, low voltage disconnect, and efficient solid-state contactor control, providing a wide range of optional control options - Contact InPower.
- **Command Interface:** User-friendly control interface via a 6 Pin Deutsch connector ensuring easy and secure connectivity.
- **Customizable Configuration:** InPower's expert team can assist customers in selecting the appropriate configuration ensuring the best fit for your requirements.

Technical Description

InPower's HD2VCM-15 is a Dual Channel 12V 35 Amp Solid State Switch designed to offer precise control for two independent +12V 35 Amp feeds, allowing seamless switching of loads. This versatile controller is equipped with a microprocessor, enabling it to perform various programmable functions based on customer-specified parameters.

To Activate an Output of the HD2VCM-15, the must operate voltage is **+5.5Von** Vdc on IN1 for OUT1 and likewise on IN2 for OUT2. The must release voltage is **+2.5Voff** Vdc. Note that the input voltage must drop to under +2.5Voff volts to turn it off.

To ensure that our customers find the most suitable configuration for their specific application, we encourage you to get in touch with InPower. Our expert team will assist you in selecting the appropriate configuration to meet your requirements. Simply reach out to us to request the desired configuration and receive personalized support. sales@inpowerllc.com



HD2VCM-15

Dual Channel 12V 35 Amp (Off/NoDraw) Solid State Switches

Specifications

Interface and Control

J1 Stud Battery - Fused Power Connection
Pin 1 - No Connection
Pin 2 - No Connection
Pin 3 - Solid Battery Ground
Pin 4 - No Connection
Pin 5 - IN1 Control Interface (12V True)
Pin 6 - IN2 Control Interface (12V True)

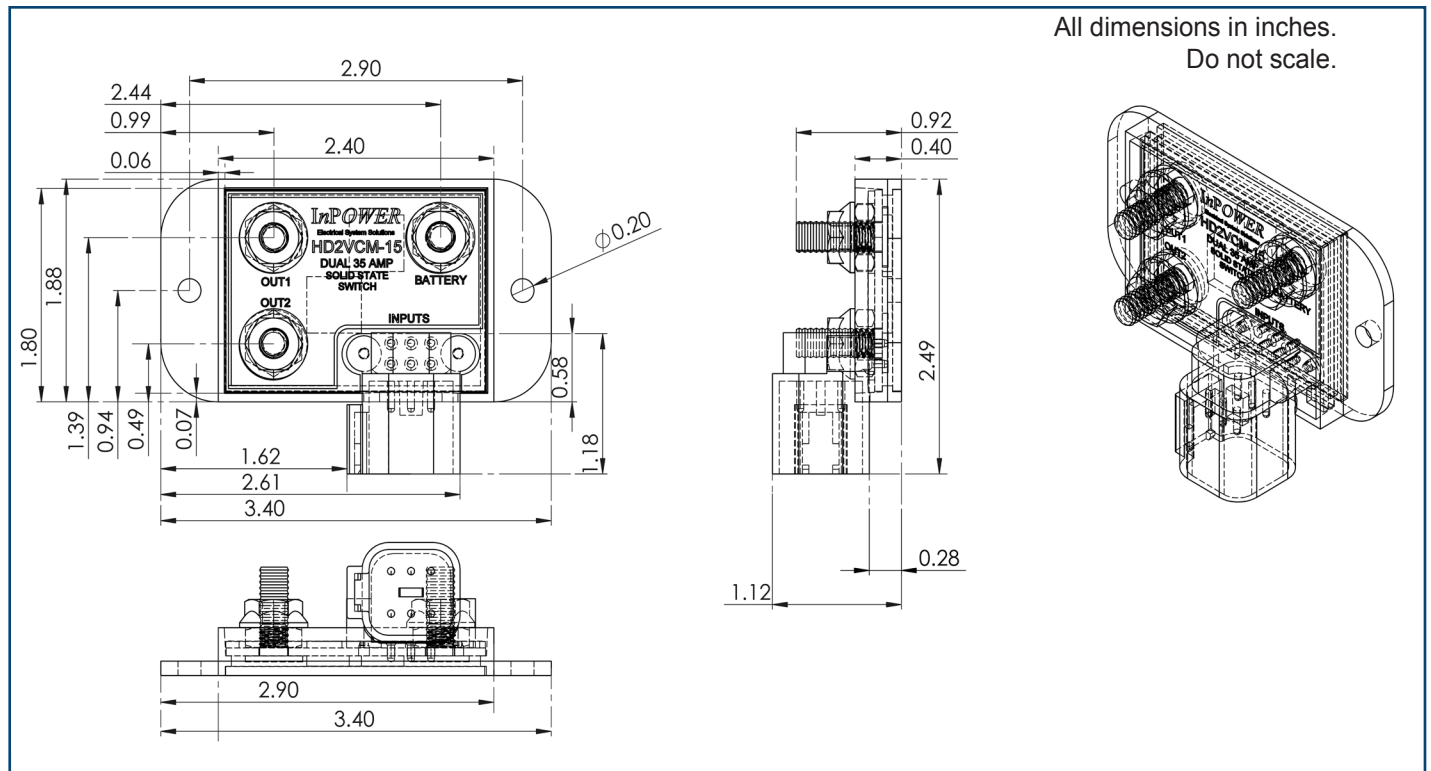
Input Output Specifications

Output Drive: 35 amps at 12Vdc
12V Switched Outputs: **OUT1** (J2) and **OUT2** (J3)
IN1: 12V True Controls (Turns On) **OUT1**
IN2: 12V True Controls (Turns On) **OUT2**
Input Voltage Threshold Turn ON: **+5.5Von** Vdc.
Input Voltage Threshold Turn OFF: **+2.5Voff** Vdc.

Mechanical Specifications

Dimensions: 3.4 L x 1.88 W x 1.12 H inches
Torque Power Nuts: 5 Ft Lbs Max
Mounting Screws: Zinc Self Drilling #10
(10-16 Hex Washer Head)
Operating Temp: -40°F to 185°F

Mechanical Drawing



Ordering Guide

Model	Configuration	Data Sheet
HD2VCM-15	2 Channel 35 Amp	PDS-269
Other Options Available on Request		

Power Rating

35 Amps Per channel at 185°F (85°C) *
40 Amp Trip after 5 Sec and Latches OFF*
70 Amp Trip after 500mSec and Latches OFF*

* All Ratings Mounted on a 12x12in, unpainted, Aluminum plate
Latched OFF Outputs require Manual Restart
• Turn OFF, then Turn ON again