

HDVCM-15

Single Channel 12V 70 Amp (Off/NoDraw) Current Solid State Switch



Key Features

- **Low Power Consumption:** If the Control Voltage is not active (IN1 at GND) current draw is 0mA.
- **Control:** Provides precise control for a +12V 70 Amp feed, allowing seamless switching of loads.
- **Versatility:** Equipped with a microprocessor, enabling the controller to perform various functions based on customer-specified parameters.
- **Comprehensive Functionality Family Optional Configurations:** Optionally offers voltage monitoring, current monitoring, low voltage disconnect, and efficient solid-state contactor control, providing a wide range of optional control options - Contact InPower.
- **Command Interface:** User-friendly control interface via a 6 Pin Deutsch connector ensuring easy and secure connectivity.
- **Customizable Configuration:** InPower's expert team can assist customers in selecting the appropriate configuration ensuring the best fit for your requirements.

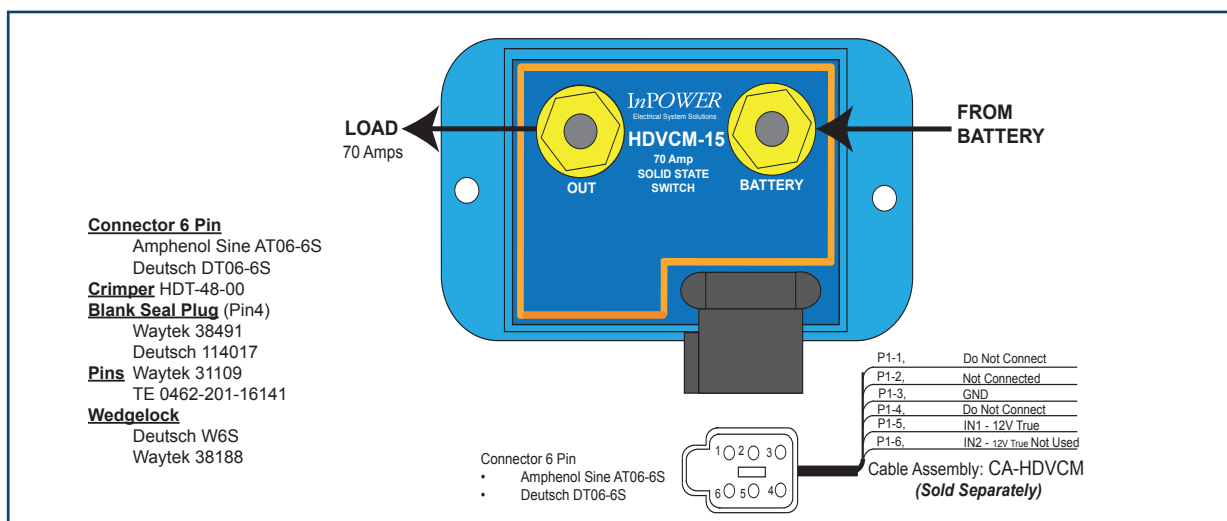
Technical Description

InPower's HDVCM-15 is a 12V 70 Amp Solid State Switch designed to offer precise control for a +12V 70 Amp feed, allowing seamless switching of loads. It provides a 12V True Interface for control (IN1) of the Output. This versatile controller is equipped with a microprocessor, enabling it to perform various programmable functions based on customer-specified parameters.

To Activate the Output of the HDVCM-15, the must operate voltage is **+5.5Von** Vdc. The must release voltage is **+2.5Voff** Vdc. Note that the input voltage must drop to under +2.5Voff volts to turn it off.

To ensure that our customers find the most suitable configuration for their specific application, we encourage you to get in touch with InPower. Our expert team will assist you in selecting the appropriate configuration to meet your requirements. Simply reach out to us to request the desired configuration and receive personalized support. sales@inpowerllc.com

Integration Diagram



HDVCM-15

Single Channel 12V 70 Amp Solid State Switch

Specifications

Interface and Control

Battery - Fused Power from the Battery
Pin 1 - No Connection
Pin 2 - No Connection
Pin 3 - Solid Battery Ground
Pin 4 - No Connection
Pin 5 - IN1 Control Interface (12V True)
Pin 6 - **Not Used with HDVCM-15, Do Not Connect**

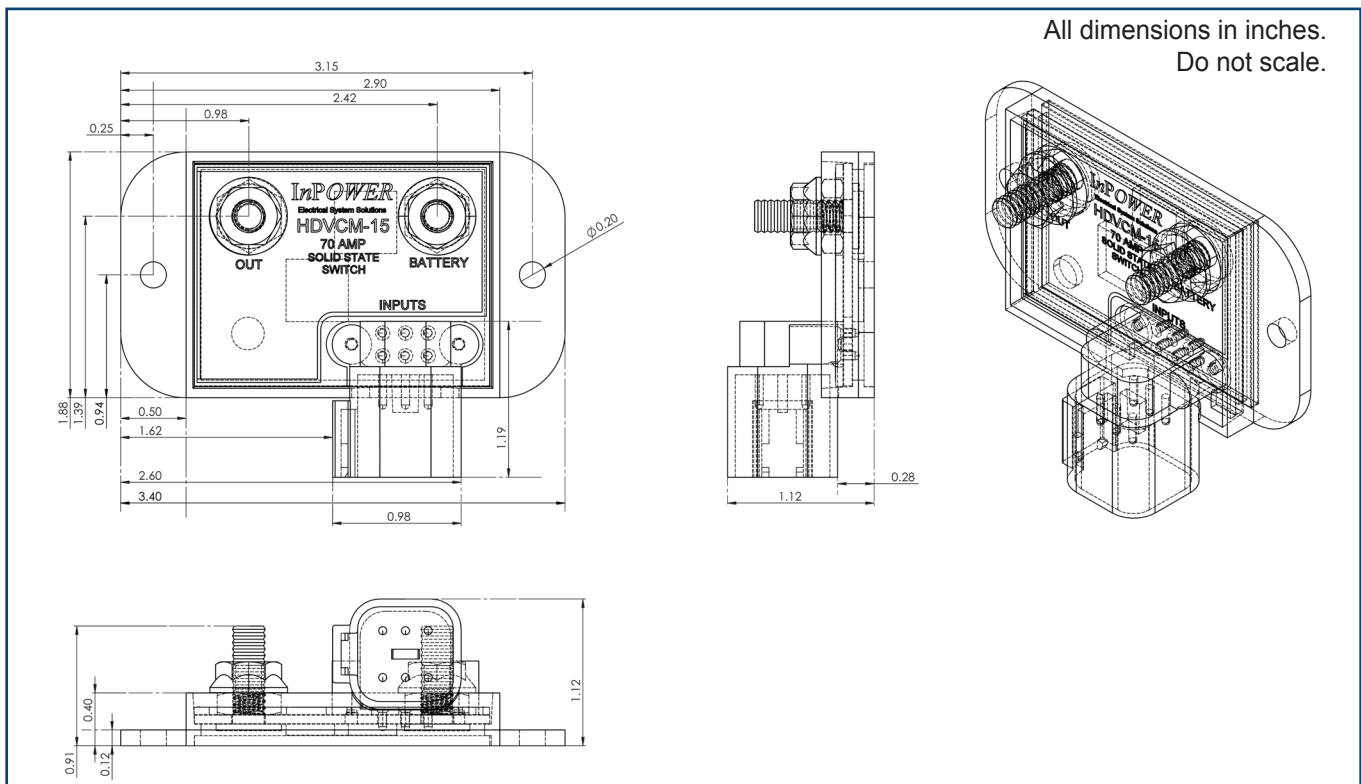
Input Output Specifications

Output Drive: 70 amps at 12Vdc
12V Switched Output: **OUT** (J2)
IN1: 12V True Controls (Turns On) **OUT**
VoltageTurnON: **+5.5Von** Vdc.
VoltageTurnOFF: **+2.5Voff** Vdc.

Mechanical Specifications

Dimensions: 3.4 L x 1.88 W x 1.12 H inches
Torque Power Nuts: 4 Ft/Lbs Min, 5.5 Ft/Lbs Max
Mounting Screws: Zinc Self Drilling #10
(10-16 Hex Washer Head)
Operating Temp: -40°F to 185°F

Mechanical Drawing



Ordering Guide-Related

Model	Configuration	Data Sheet
HDVCM-15	12V 70 Amp	PDS-268
Other Options Available on Request		

Power Rating

70 Amps Per channel at 185°F (85°C) *
80 Amp Trip after 5 Sec and Latches OFF *
140 Amp Surge Trip after 500mS and Latches OFF *

* All Ratings Mounted on a 12x12in, unpainted, Aluminum plate
Latched OFF Outputs require Manual Restart
• Turn OFF, then Turn ON again